

Looking for something different for your kitchen? This pine bread bin is easy to make with laminated pine shelving and you can stain or paint it when finished



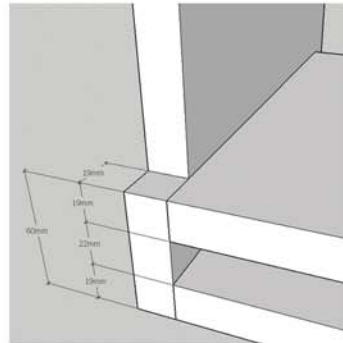
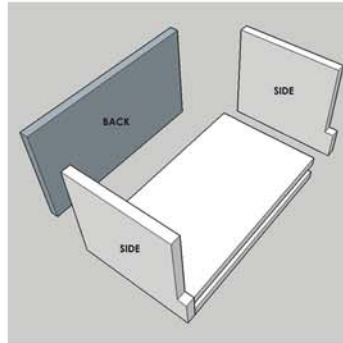
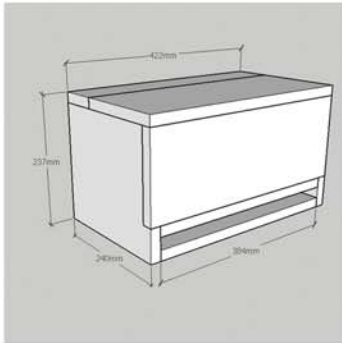
Make a Pine Bread bin

Buying list

- *Eureka 4 x 40mm Cut Screw
- *2 90-degree blind corner concealed hinges
- *Eureka Magnetic Bit holder
- *Eureka 35mm Forstner drill bit
- *Wood glue
- *Wood filler
- *Sand paper
- *Choice of stain, sealer or paint to finish

Cutting list

- 19mm thick Laminated Pine shelving cut to:
- *2 of 19 x 218 x 240mm - sides
- *2 of 19 x 221 x 384mm - shelf / bottom
- *1 of 19 x 218 x 384mm - back
- *1 of 19 x 70 x 422mm - lid support
- *1 of 19 x 169 x 422mm - lid back
- *1 of 19 x 158 x 422mm - lid front
- *1 of 19 x 20 x 44 x 240mm - knife holder with slot
- *1 of 19 x 232 x 380mm - cutting board



Preparation

Before you start to assemble the bread bin, sand the various pieces until they are smooth and wipe off all the dust. If you want to stain the bread bin, it's a good idea to do it at this point because once the bread bin is assembled, it will be more difficult to do.

1. Take the two pieces that will be the sides, and on one 218mm edge of each piece, measure 60mm upwards and 19mm inwards. Cut out the 158mm x 19mm section to make space for the lid.
2. Screw the bottom and shelf piece onto one of the sides by means of the Eureka 4 x 40mm Cut screws – you can add some wood glue to strengthen the joint. Repeat and secure the other side piece to the bottom and shelf.
3. The back piece fits between the two sides and flush with the bottom piece. Secure it by driving Cut screws through the sides and into the back piece. Drive screws through the back piece and into the bottom.

4. In the 169mm x 422mm piece (lid back), you need to drill holes to accommodate the concealed hinges. This is done using the 35mm Eureka Forstner drill bit. On one of the 422mm sides, measure 21.5mm from the edge and drill the hole 11mm deep.
5. Place the pot end of the hinges into the holes you've just drilled. Make sure the hinges are straight and secure them with the 16mm screws that are provided.
6. Place the 70mm x 422mm piece against the lid and secure the other ends of the hinges to it.
7. Secure the lid front perpendicular to the lid back by driven Cut screws through the face of the lid back into the edge of the lid front.
8. Fasten the lid to the breadbin by securing the 70mm x 422mm piece to the side and back pieces of the breadbin.
9. For the optional knife holder, use a router to cut a 4mm deep slot in the pine section. The width will be determined by the size of knife you have. The knife holder is glued onto the side of the bread bin.
10. The cutting board slides into the slot below the lid.

